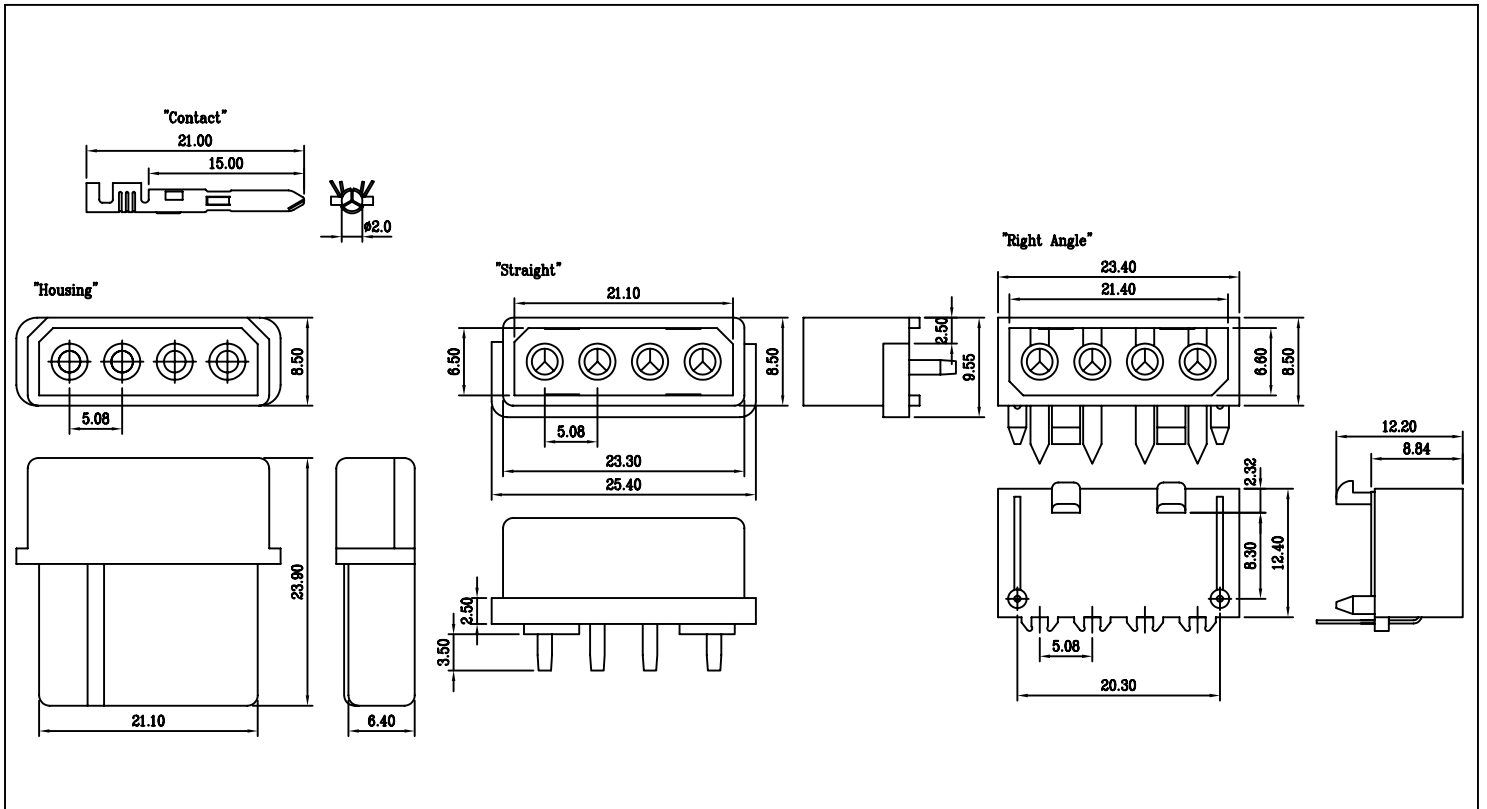


# 538

## .2"(5.08mm) Crimp Housing and Contact 04 Contacts

### Technical data :

Contact Material : Copper alloy  
 Applicable wires : AWG # 18 to 24  
 Housing Material : Nylon, UL 94V-0  
 Current Rating : 7A AC, DC  
 Voltage Rating : 250V AC Maximum  
 Temperature Range : -25°C~+90°C  
 Contact Resistance : 20 mOhm Max  
 Insulation Resistance : 1000 MOhm min  
 Withstand Voltage : 1500V AC/minute



How to order    -   -

Serie-Nr.

Nr. of contact

Connector Type

Contact Plating

Nr. of contact	code
04 Contacts	04

Connector Type	Code
Housing	1
contact	2
Header straight	3
Header Right Angle	4

Plating	Code
Gold Plated	10
Tin Plated	50
Housing is unnecessary for plating option	