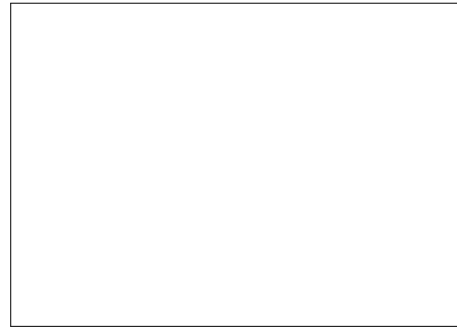


606

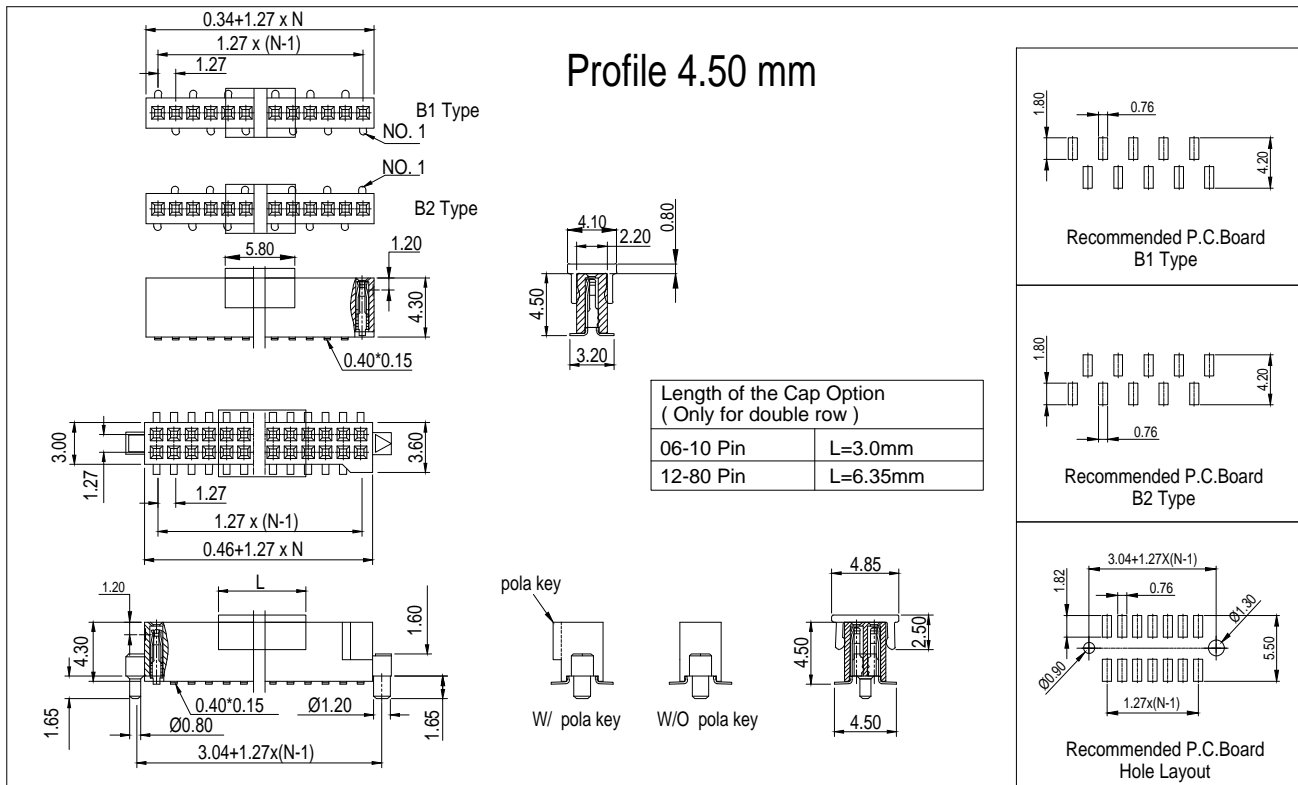
Female Header 1.27mm Pitch SMT Type For square pin

Technical Data :

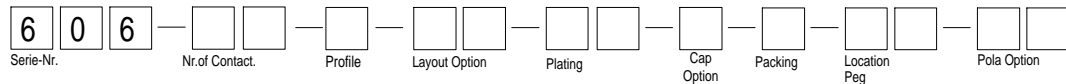
Insulator Material:	High Temperature Thermoplastic,UL 94V-0
Contact :	stamped and formed,Phosphor Bronze
Plating:	Au or Sn over Nickel
Current Rating :	1 Amp
Contact resistance:	20 milliohms Max.
Insulator resistance :	500 Megohms min.
Dielectric withstanding :	AC 500V for 1 Minute.
Operating Temperature:	-40°C to +105°C.
Max. processing Temp:	230°C for 30-60 seconds. 260°C for 10 seconds.
Mates with :	Pitch 1.27mm, □ 0.4mm male header



RoHS Compliant



How to order



Number of contact	Code
Double Row Max. 80	06-80
single row max. 36	03-36
Profile	Code
Profile H=4.5	2
Layout option	Code
B1 single	11
B2 single	12
Double row	20

Plating option	Code
Gold plated	10
Tin plated	50
Selective gold flash plated	60
10u"Selective gold plated	610
15u"Selective gold plated	615
20u"Selective gold plated	620
30u"Selective gold plated	630

Pick & Place Pad	Code
W/ Cap	1
W/O Cap	2
Packing Option	Code
Tube	1
Tape & Reel	2

Location Peg	Code
W/ Location peg	10
W/O Location peg	00
For Double row only	
pola Option	Code
W/ pola key	1
W/O pola key	0
For Double row only	

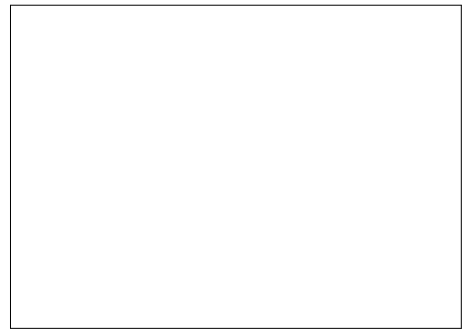
W. E.

606

Female Header 1.27mm Pitch SMT Type For square pin

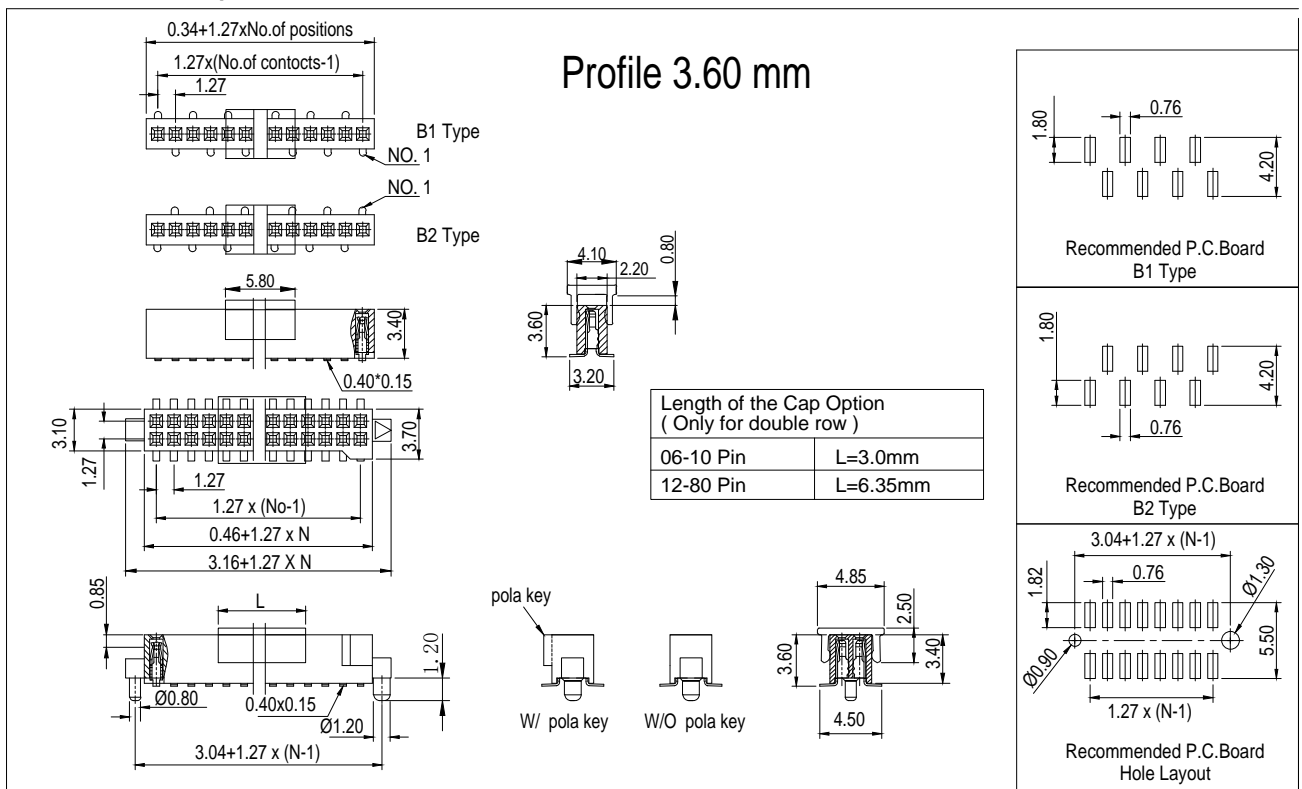
Technical Data :

Insulator Material:	High Temperature Thermoplastic,UL 94V-0
Contact :	stamped and formed,Phosphor Bronze
Plating:	Au or Sn over Nickel
Current Rating :	1 Amp
Contact resistance:	20 milliohms Max.
Insulator resistance :	500 Megohms min.
Dielectric withstanding :	AC 500V for 1 Minute.
Operating Temperature:	-40°C to +105°C.
Max. processing Temp:	230°C for 30-60 seconds. 260°C for 10 seconds.

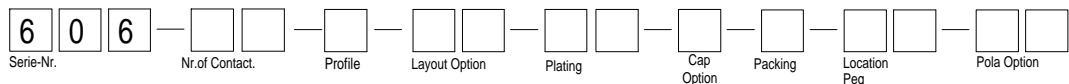


Mates with : Pitch 1.27mm, 0.4mm male header

RoHS Compliant



How to order



Number of contact	Code	Plating option	Code	Pick & Place Pad	Code	Location Peg	Code
Double Row Max. 80	06-80	Gold plated	10	W/ Cap	1	W/ Location peg	10
single row max.36	03-36	Tin plated	50	W/O Cap	2	W/O Location peg	00
Profile	Code	Selective gold flash plated	60	Packing Option	Code	For Double row only	
Profile H=3.6	1	10u"Selective gold plated	610	Tube	1	pola Option	Code
Layout option	Code	15u"Selective gold plated	615	Tape & Reel	2	W/ pola key	1
B1 single	11	20u"Selective gold plated	620			W/O pola key	0
B2 single	12	30u"Selective gold plated	630			For Double row only	
Double row	20						

W.E.