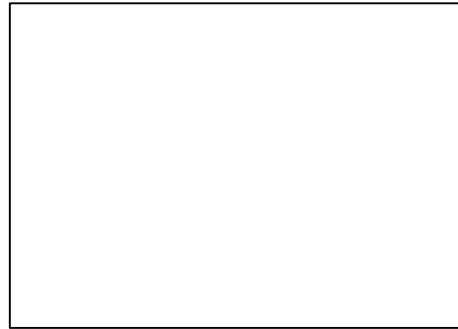


152,152-DB

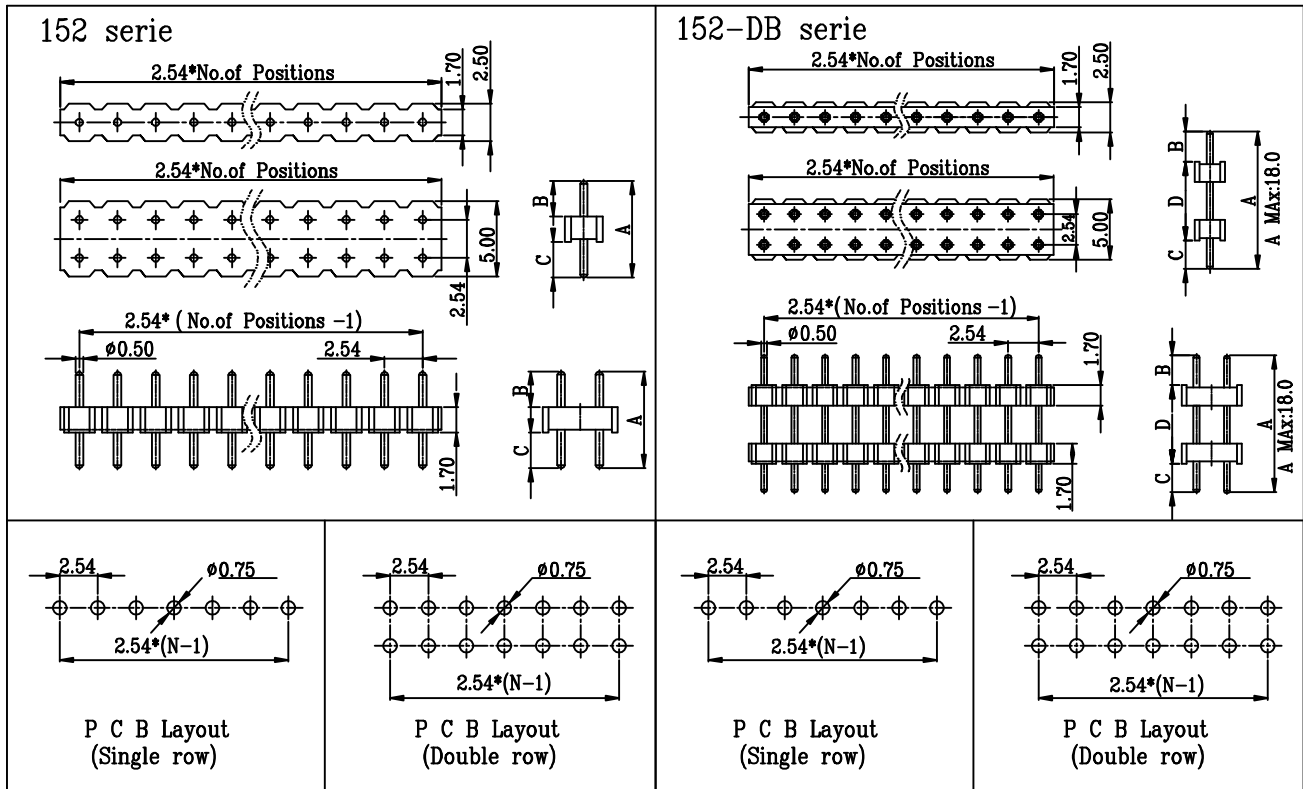
Pin-Header-Strips Single/Double Row with round contact 2.54 mm pitch

Technical Data :

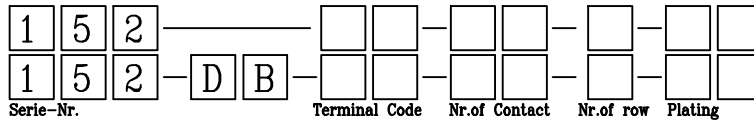
Insulator Material: High Temperature Thermoplastic,UL 94V-0
 Contact : $\phi 0.50\text{mm}$
 Contact Material: copper alloy
 Plating: Au or Sn over Nickel
 Current Rating : 3 Amp
 Insulator resistance : 5000 Megohms min.
 Dielectric withstanding : AC 500V for 1 Minute
 Operating Temperature: -40°C to $+105^{\circ}\text{C}$.
 Max. processing Temp: 230°C for 30-60 seconds.
 260°C for 10 seconds.
 Mates with : 2.54mm Pitch PCB connector



RoHS Compliant



How to order



(152)Dimensions(mm)			Terminal code
A	B	C	
6.50	2.30	2.50	08
8.30	3.40	3.30	09
11.30	6.30	3.30	12
12.60	7.60	3.30	13
14.70	9.70	3.30	15
As request XXX/XXX/XXX			
FOR Eg.A=6.50,B=2.3,C=2.5			
CODE Nr. =6.5/2.3/2.5			

(152-DB)Dimensions(mm)				Terminal code
A	B	C	D	
13.5	2.30	2.50	8.7	08
17.5	3.40	3.30	10.80	09
As request XXX/XXX/XXX				
FOR Eg.B=2.3,C=2.5,D=8.7				
CODE Nr. =2.3/2.5/8.7				

Number of contact	Code
02-40-poles Single	02~40
04-80-poles Double	04~80

Plating option	Code
Gold plated	10
Tin plated	50

Number of row	Code
Single row	1
Double row	2

W.E.