

# 596

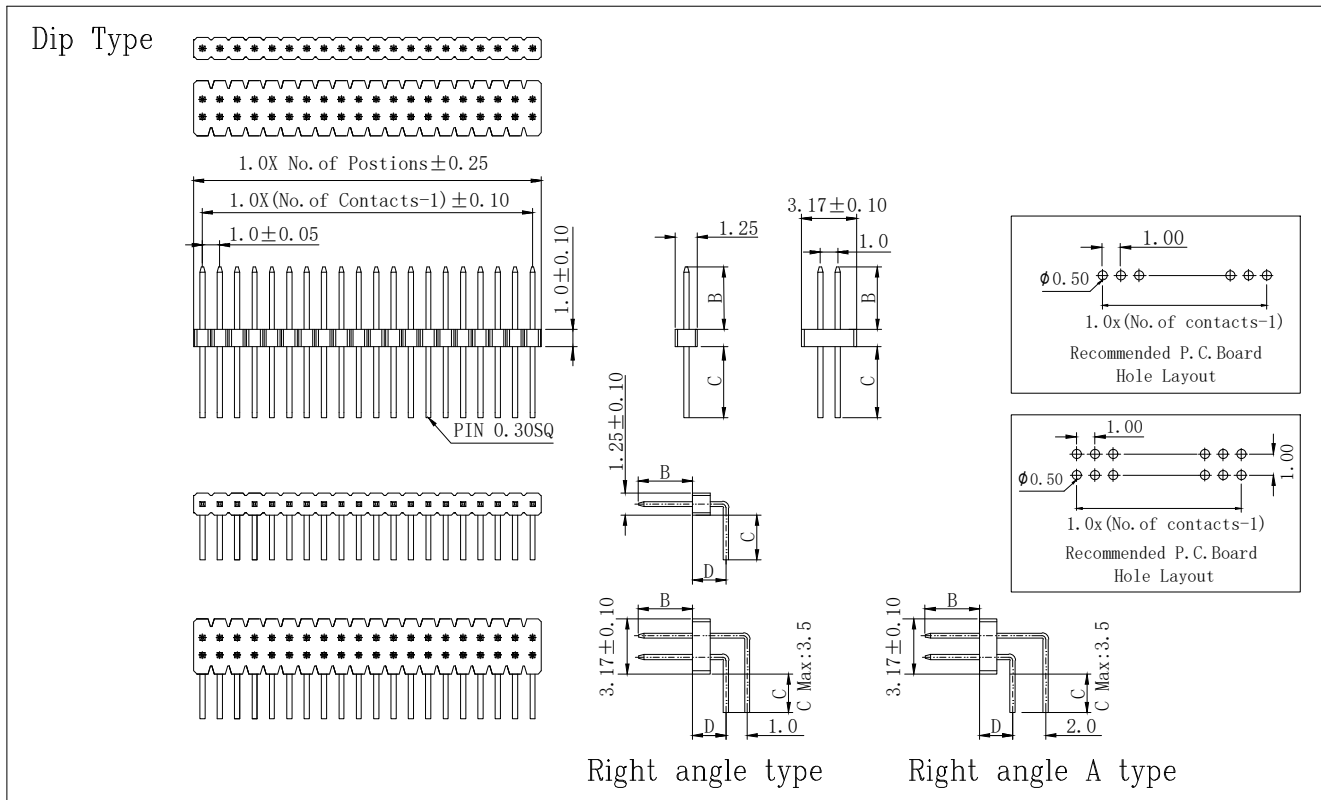
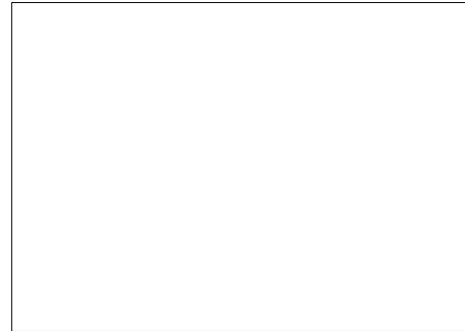
## 1.0mm Pitch strip header

### Technical Data :

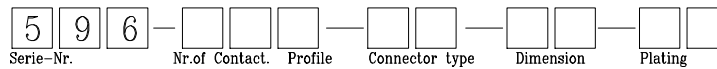
Insulator Material: High Temperature Thermoplastic, UL 94V-0.  
 Contact : 0.30x0.30mm  
 Contact Material: copper alloy  
 Plating: Au or Sn over Nickel  
 Current Rating : 1 Amp  
 Insulator resistance : 500 Megohms min  
 Dielectric withstanding : AC 500V for 1 Minute  
 Operating Temperature: -40°C to +105°C.  
 Max. processing Temp: 230°C for 30-60 seconds.  
 260°C for 10 seconds.

Mates with : 597

### RoHS Compliant



### How to order



Nr. of Contact	Code
Single 01-50 Pin	01-50
Double 02-100 pin	02-100

Profile Option	Code
H=1.0 Single Row	1
H=1.0 Double Row	2
H=1.5 Double Row	3

Connector type	Code
Dip type	10
Right angle type	12
Right angle A type	13

Dimension(mm)		Code
180 ° type		
B	C	
90 ° type		
B	C	D
As request :		XX/XX/XX
For Eg. B=3.2, C=3.5, D=2.8		
CODE Nr.=3.2/3.5/2.8		

Plating option	Code
Full gold flash plated	10
Tin plated	50
Selective gold flash plated	60
10u"Selective gold plated	610
15u"Selective gold plated	615
20u"Selective gold plated	620
30u"Selective gold plated	630

W.E.