

820

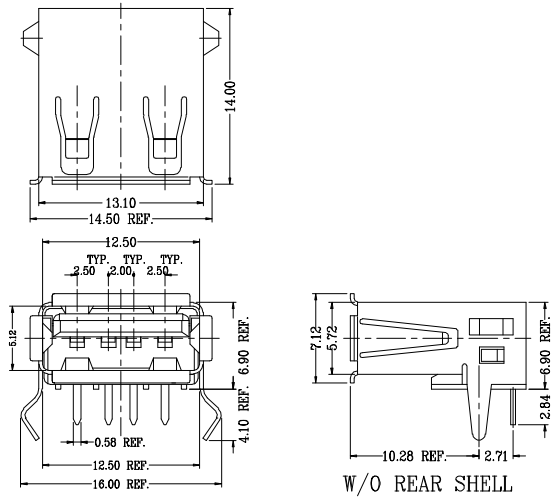
USB Female 90°

Technical data :

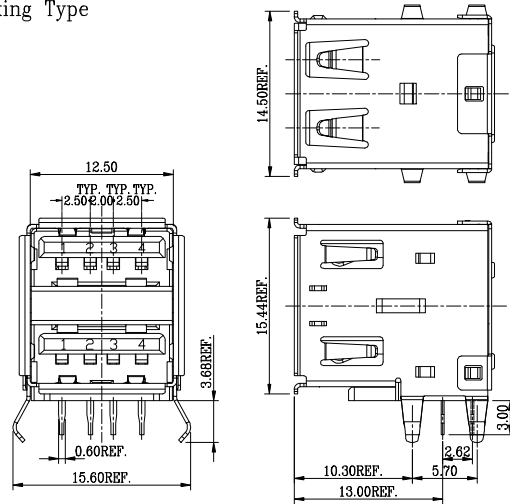
Housing : PBT or High Temperature Polyester & Glass Fiber,UL94-V0
 Color : Beige or Black
 Contact : Phosphor Bronze or Brass
 Contact plating : Gold flash/Tin
 Shell : Spcc or Brass
 Voltage Current Rating : 1 AMP,30V DC
 Insulation Resistance : 1000Mohm Min.
 Contact Resistance : 30mohm Max.
 Withstanding Voltage : 500V AC
 Temperature Rating : -45°C to + 85°C



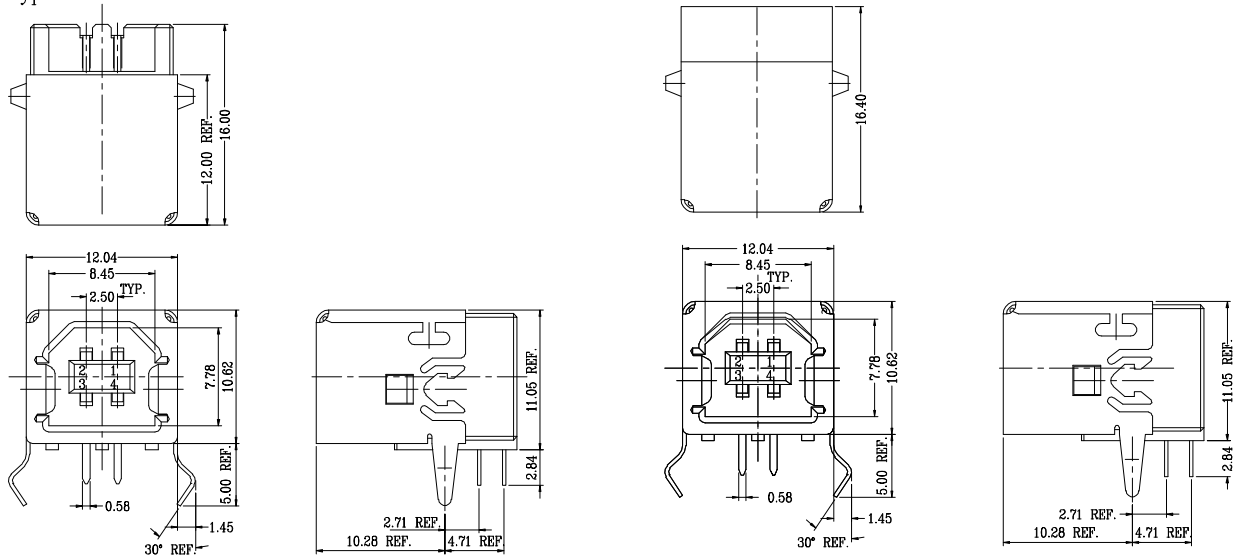
A Type



Stacking Type



B Type



How to order

8 2 0 — □ □ — □ □ — □ □
 Serie-Nr. Connector Type Color Rear Shell

Connector Type	Code
A Type	10
B Type	20
Stacking Type	30

Color Option	Code
Insulator: Black	10
Insulator: Beige	20

Rear Shell Option	Code
W/O Rear Shell	00
With Rear Shell	10

W.E.