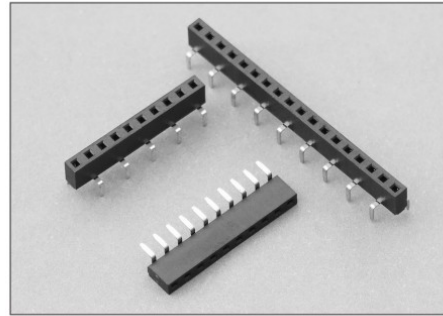


623

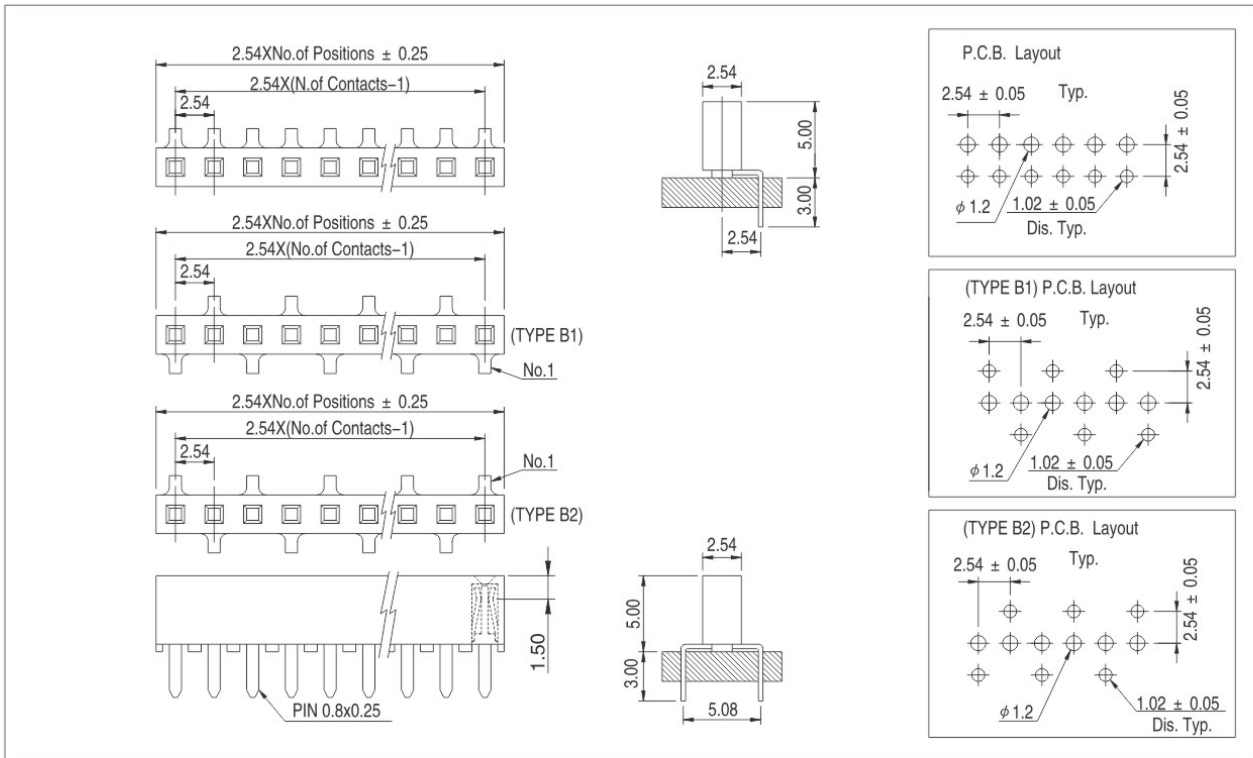
Female Header Dual Entry type 2.54mm pitch Single Row

Technical Data :

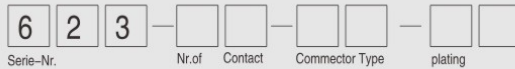
Insulator Material:	High Temperature Thermoplastic,UL 94V-0
Contact :	stamped and formed,Phosphor Bronze
Plating:	Au or Sn over Nickel
Current Rating :	3 Amp
Contact resistance:	20 milliohms Max.
Insulator resistance :	1000 Megohms min.
Dielectric withstanding :	AC 500V for 1 Minute.
Operating Temperature:	-40 °C to +105 °C .
Max. processing Temp:	230 °C for 30-60 seconds. 260 °C for 10 seconds.
Mates with :	Pitch 2.54mm, □ 0.635mm male header



RoHS Compliant



How to order



Number of contact	Code
1 - Single max. 40 poles	03-40

Connector Type Foot Rank opting	Code
one side	10
Double side Type B1	20
Double side Type B2	30

Plating option contact	Code
Gold plated	10
Tin plated	50
Selective gold plated	60
10u"Selective gold plated	610
20u"Selective gold plated	620
30u"Selective gold plated	630

W.E.