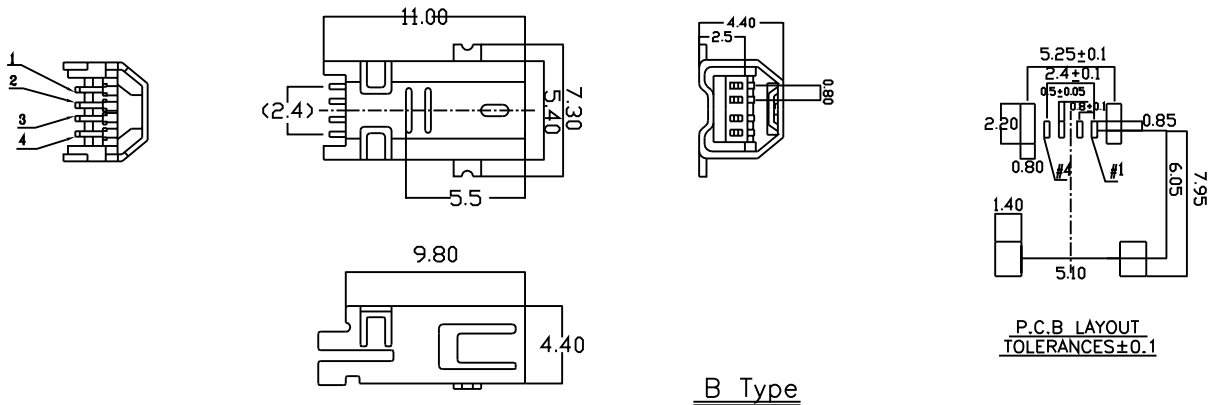
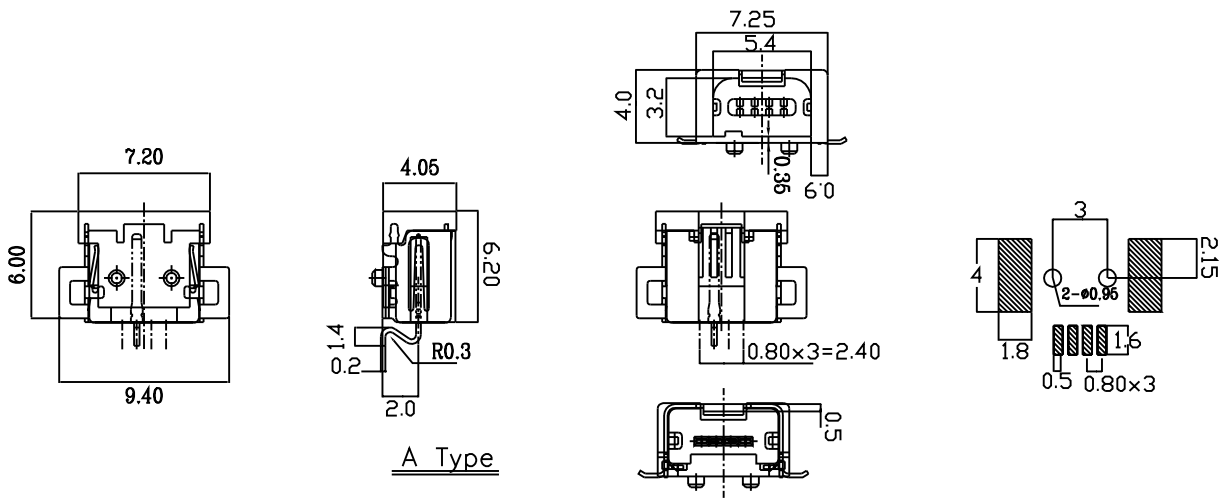
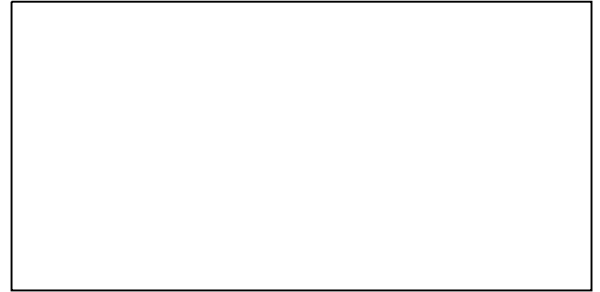


# 827

## 4-pins Mini USB SMT connector

Technical data :

SHELL : Stainless steel w/120u" Tin plated  
 HOUSING : LCP 30% GLASS UL 94-V0  
 CONTACT : PH. Bronze selective gold plated  
 Rating : 100V AC 1A MAX or 12V DC 2A MAX  
 Insulation Resistance : 50mohm MIN at 250V DC  
 Dielectric Strength : 250V AC/1minute  
 Contact resistance : 30mohm MAX  
 Insertion Force : 4.5Kg Max  
 Withdrawal Force : 0.9Kg~3Kg



How to order 8 2 7 —   —   —

Serie-Nr.                      Connector Type                      Color Option                      Plating Option

Connector Type	Code
A TYPE	10
B TYPE	20

Color Option	Code
Insulator : Black	10
Insulator : White	20

Plating Option	Code
Gold Flash	10
16u" SELECTIVE GOLD PLATED	615
30u" SELECTIVE GOLD PLATED	630