

537

.2"(5.08mm) Crimp Housing and Contact 04 Contacts

Technical data :

4 Circuits

Contact Material : Copper alloy

Wafer Material : Nylon, UL 94V-0

Current Rating : 5A AC, DC

Voltage Rating : 250V AC Maximum

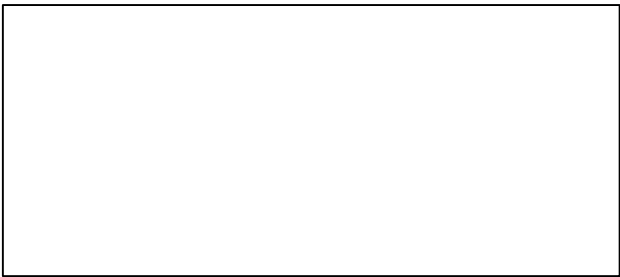
Temperature Range : -25°C~+90°C

Contact Resistance : 20 mOhm Max

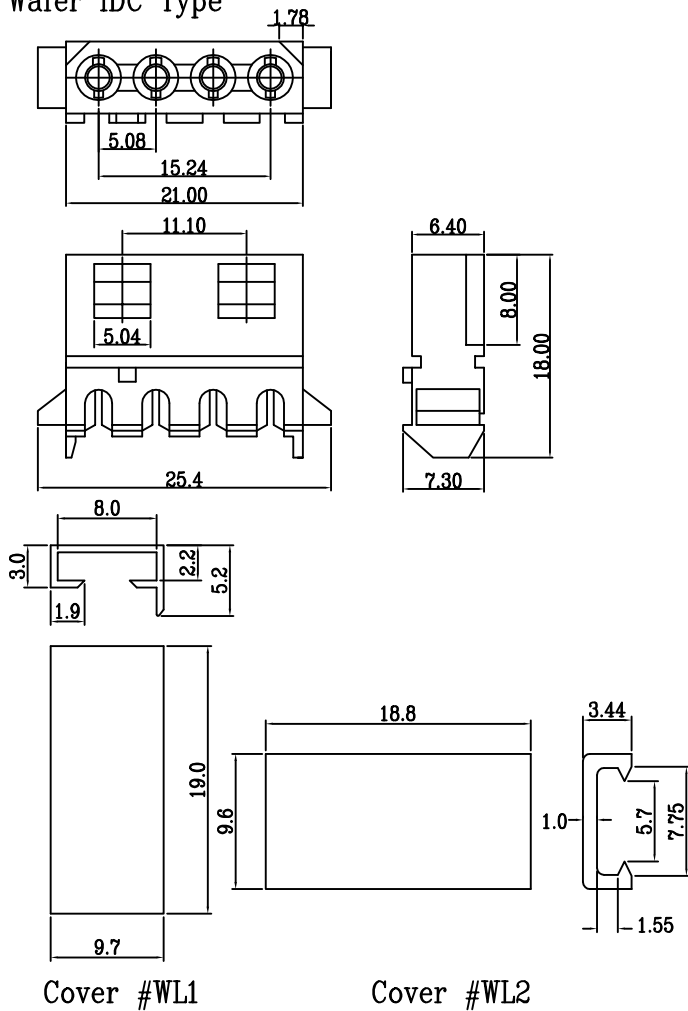
Insulation Resistance : 1000 MOhm min

Withstand Voltage : 1500V AC/minute

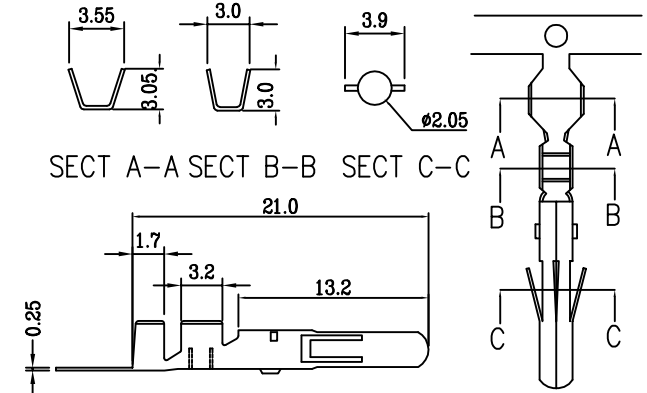
P.C.Board Thickness : 1.6mm(.063")



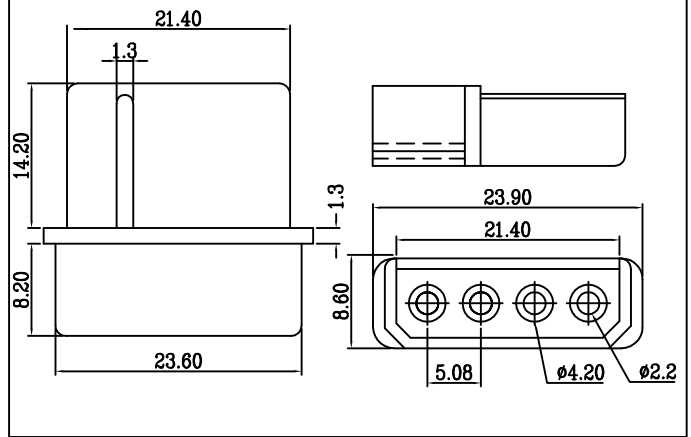
Wafer IDC Type



TERMINAL



HOUSING



How to order - - - -

Series-Nr. Nr. of contact Connector Type Plating Cover

Nr. of contact	code
04 Contacts	04

Connector Type	Code
Housing	1
contact	2
IDC wafer	3

Plating	Code
Gold Plated	10
Tin Plated	50
Omit for housing	

Cover	Code
WL1	1
WL2	2
For wafer only omit for Housing & contact	