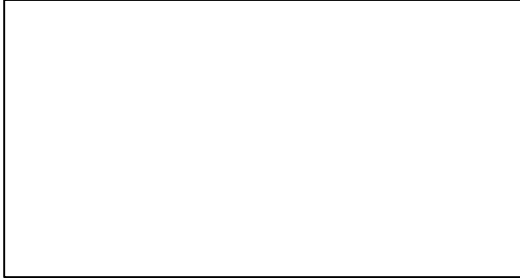


Centronics Socket and Pin 180° IDC-Type

Technical data :

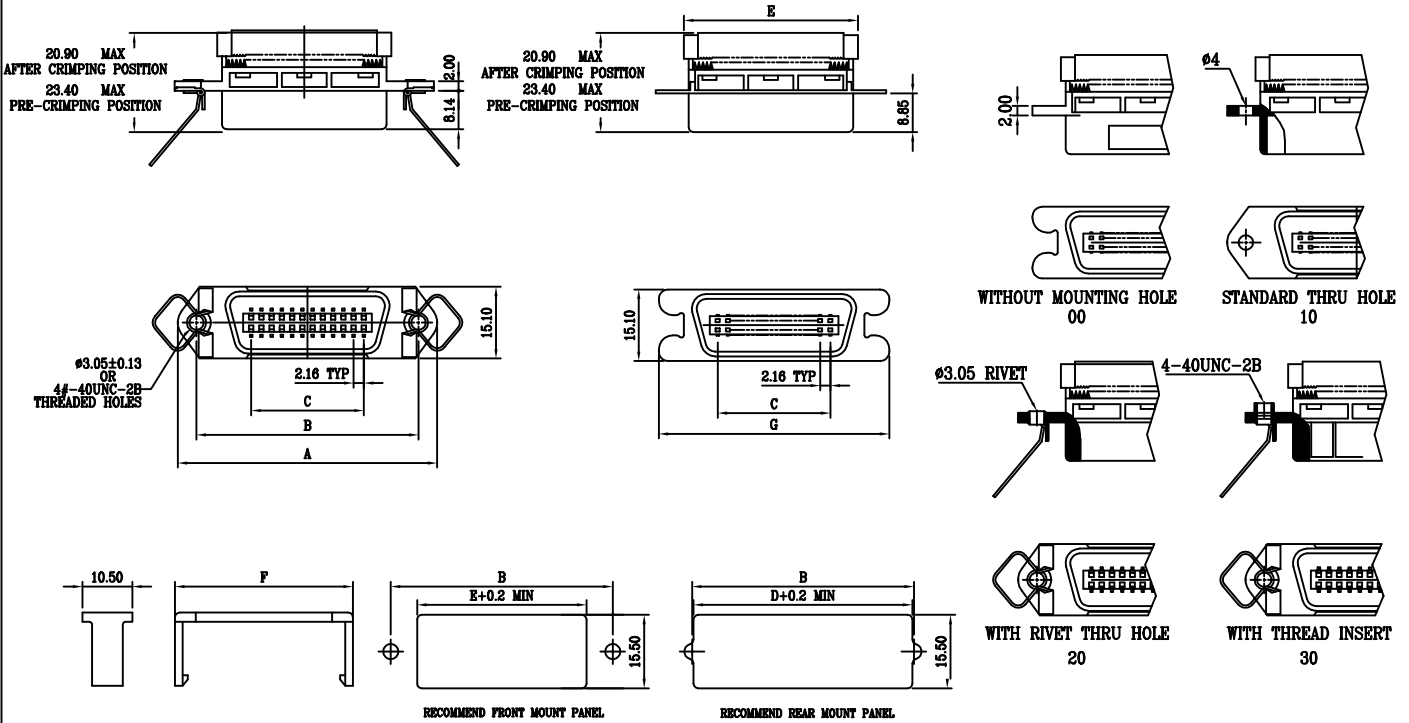
Material shell Steel tin-coat over nikel
 Insulator Thermoplastic polyester
 Color Insulator Black
 Burning properties Self extinguishing rated UL94V0
 Contact Copper alloy
 Contact surface Gold over nickel
 Operating temperature -55°C to +125°C

Electrical data :
 Current rating 5 A
 Electrical rating 500V eff.
 Insulation resistance 1000Mohm min. 500V DC

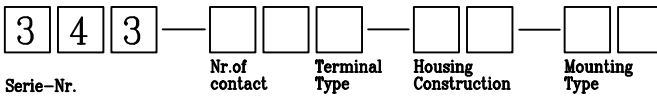


Female-Cable to panel type

Male-Cable to panel type



How to order



Nr. of contact	Dimensions(mm)						
	A	B	C	D	E	F	G
	± 0.25	± 0.13	± 0.13	± 0.25	± 0.25	± 0.25	± 0.25
24	54.70	46.78	23.78	45.95	35.50	37.50	48.60
36	67.80	59.74	36.72	58.80	53.30	54.40	61.60
50	82.80	74.85	51.84	74.25	68.50	70.50	76.70

Terminal Type	Code
Pin	1
Socket	2

Housing construction	Code
All plastic	00
With metal front shell	10

Mounting Type	Code
Without Mounting Hole	00
Standard through Hoie	10
With rivet through Hole	20
With UNC 4-40 Thread insert	30