

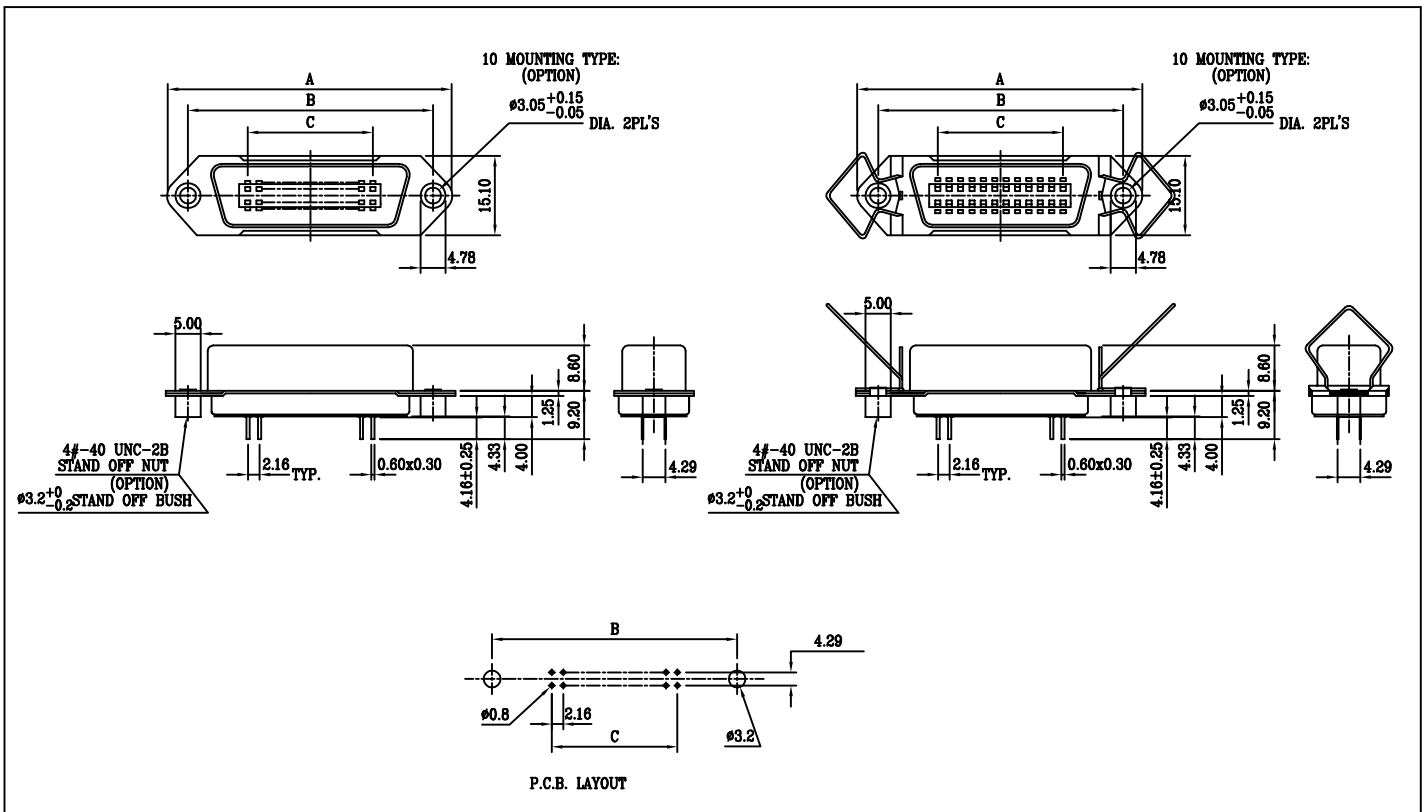
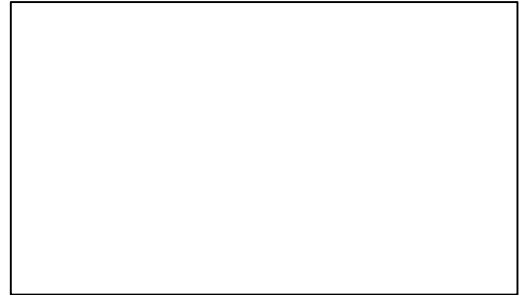
# 117-5&117-6

## Centronic PCB Dip Version connector

### Technical data :

Material shell            Steel tin-coat over nikel  
 Insulator                Thermoplastic polyester UL94V0  
 Color Insulator        Blue  
 Burning properties    Self extinguishing rated yes!  
 Contact                  Copper alloy  
 Contact surface        Gold over nickel  
 Operating temperature   -55°C to +125°C

Electrical data :  
 Current rating            5 A  
 Electrical rating        500V eff.  
 Insulation resistance    1000Mohm min. 500V DC



How to order 

1	1	7	5				
1	1	7	6				

Serie-Nr.                      Terminal Type                      Nr. of contact                      Mounting Type

Terminal Type	Code
MALE	5
Female	6

Nr. of contact	Dimensions(mm)			Code
	A	B	C	
	±0.38	±0.25	±0.38	
14	43.90	36.00	12.96	14
24	54.70	46.80	23.76	24
36	67.80	59.70	36.72	36
50	82.80	74.90	51.84	50

Mounting option	Code
Standerd through hole	10
Riveted 3.2 through holes stand off bush.	20
Riveted unc 4#40 4.0 mm standoff	30