

# 117-2&117-4

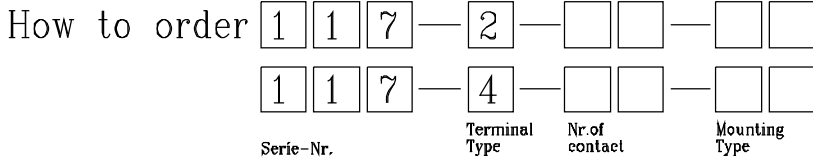
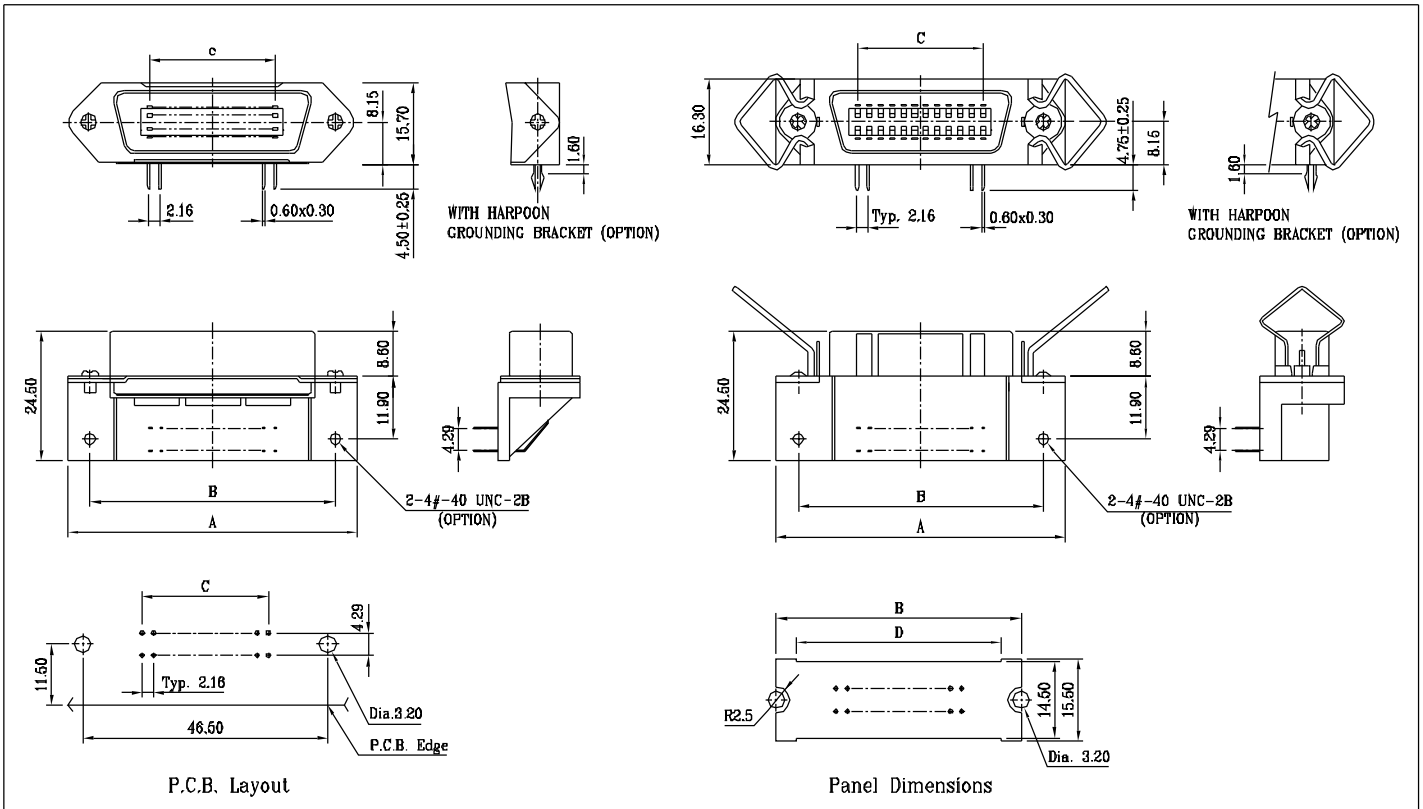
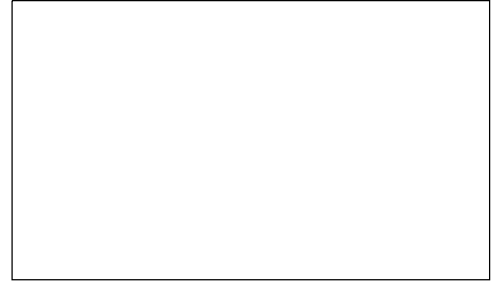
## Centronic 90° Version connector

### Technical data :

Material shell      Steel tin-coat over nikel  
 Insulator          Thermoplastic polyester  
 Color Insulator    Black  
 Burning properties   Self extinguishing rated UL94V0  
 Contact              Copper alloy  
 Contact surface     Gold over nickel  
 Operating temperature   -55°C to +125°C

### Electrical data :

Current rating        5 A  
 Electrical rating     500V eff.  
 Insulation resistance 1000Mohm min. 500V DC



Terminal Type	Code
female	2
MALE	4

Nr. of contact	Dimensions(mm)				Code
	A	B	C	D	
	±0.36	±0.13	±0.13	±0.13	
14	43.90	36.00	44.14	21.40	14
24	54.70	46.80	53.52	21.00	24
36	67.80	59.70	67.74	23.00	36
50	82.80	74.90	82.86	25.40	50

Mounting option	Code
L Bracket type	10
Boardlock type	20